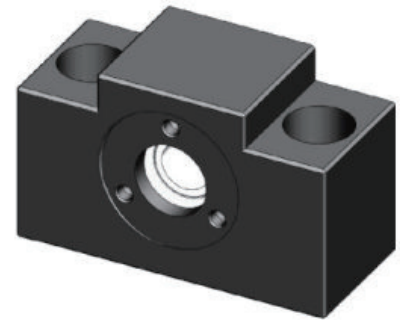
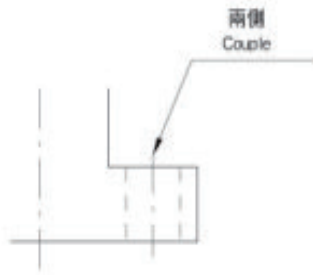


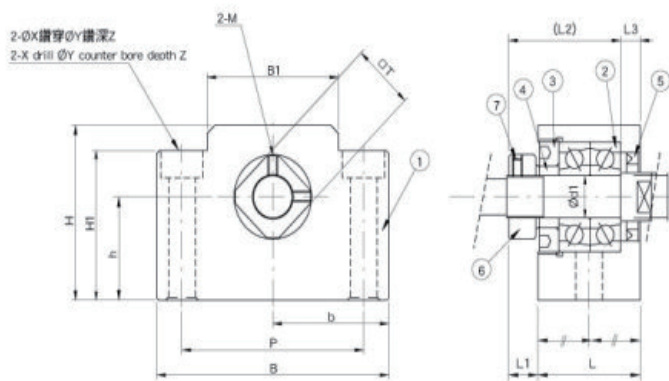
EK系列(凸形固定側) Support Unit EK (fixed-side rectangular type)

EK05



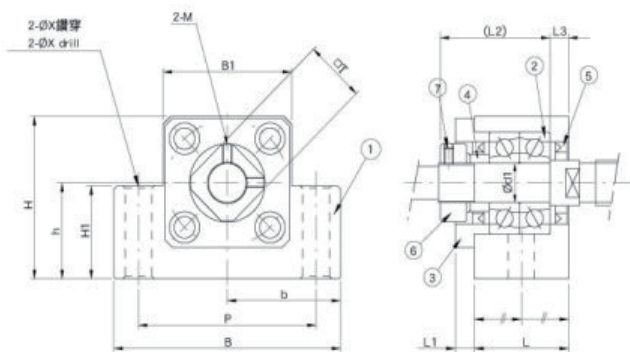
(EK05~08)

EK06.EK08



編號/Part No	部品名稱/Part name	數量/Qty
1	軸承座本體/Housing	1
2	軸承/Bearing	1組/1set
3	壓版/Holding lid	1
4	間隔圈/Collar	2
5	軸封/Seal	1(2)
6	鎖固螺帽/Lock nut	1
7	內六角止付螺絲附銅片 Hexagon socket-head Setscrew(with set piece)	2

EK10~EK20



(EK10~20)

單位 / Unit:mm

型號 Model No.	軸徑 Shaft diameter d1	L	L1	L2	L3	B	H	b		B1	H1	P	X	Y	Z	M	T	重量 Weight Kgs
								±0.02	±0.02									
EK05	5	16.5	5.5	18.5	3.5	36	21	18	11	20	8	28	4.5	-	-	M3	11	0.12
EK06	6	20	5.5	22	3.5	42	25	21	13	18	20	30	5.5	9.5	11	M3	12	0.18
EK08	8	23	7	26	4	52	32	26	17	25	26	38	6.6	11	12	M3	14	0.27
EK10-1	10	24	6	29.5	6	65	43	32.5	21	36	20	52	6.6	-	-	M3	16	0.47
EK10	10	24	6	29.5	6	70	43	35	25	36	24	52	9	-	-	M3	16	0.47
EK12	12	24	6	29.5	6	70	43	35	25	36	24	52	9	-	-	M4	19	0.45
EK15	15	25	6	36	5	80	49	40	30	41	25	60	11	-	-	M4	22	0.6
EK20	20	42	10	50	10	95	58	47.5	30	56	25	75	11	-	-	M4	30	1.35