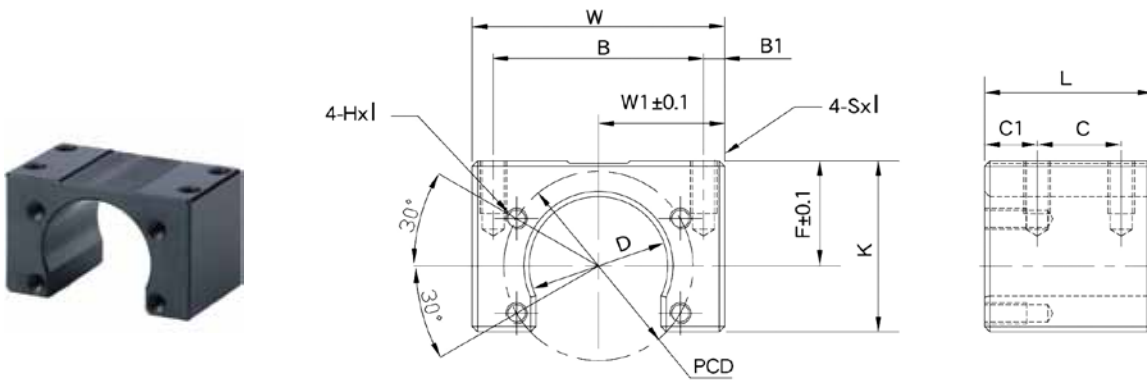


# MC / MGD 螺帽支座

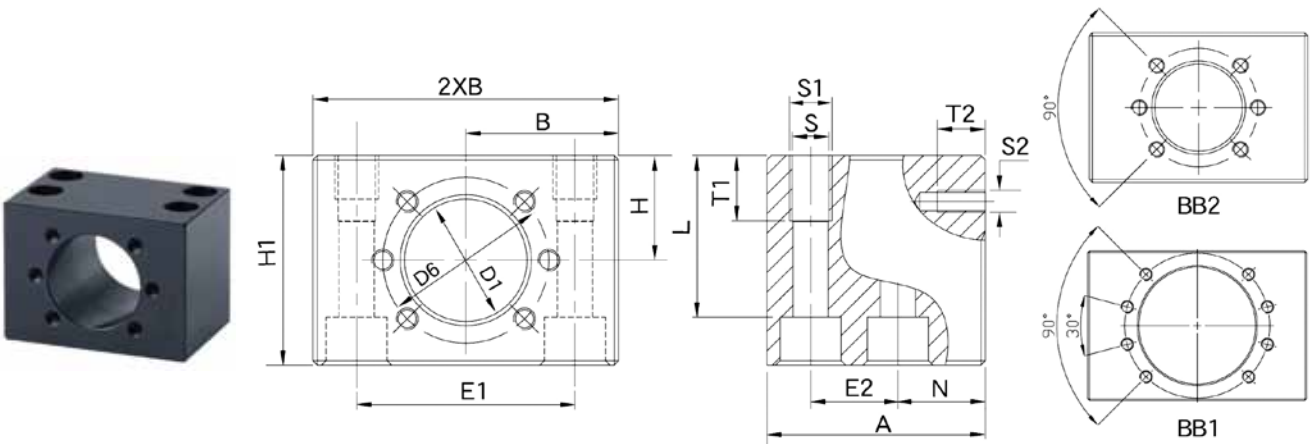
## ▶ MC



單位：mm

型號	寬度 W	W1	B	B1	全長 L	C	C1	F	K	D	PCD	S x I	H x I	FA 機械用滾珠螺桿適用型號	重量 (Kgs)
MC 1004	48	24	40	4	32	16	10	20	32.5	26.4	36	M5x10	M4x7	BNK1004、BNK1005	0.24
MC 1205	60	30	47	6.5	36	24	6	21	37	30.4	40	M6x12	M4x7	BNK1205	0.38
MC 1408	60	30	50	5	36	20	10	21.5	37	34.4	45	M6x12	M5x8	BNK1408、BNK1510 BNK1520、BNK1616	0.34
MC 2010	86	43	70	8	50	30	10	31	54	46.4	59	M10x20	M6x10	BNK2010	1.04
MC 2020	86	43	70	8	40	24	8	28	51	39.4	59	M10x20	M6x10	BNK2020	0.83

## ▶ MGD



單位：mm

型號	Size	d <sub>o</sub> xP	Part number	D1±0.1	D6	A	B±0.1	H1±0.1	H1	E1	E2	N	S	S1	T1	S2	T2	ISO4762	L	重量 (Kgs)	
MGD 16L	16x5	16x10	1506-0-0050	28.4	38	36	28	20	39	46±0.1	20±0.1	8	-	M6	12	M5	10	BB2	-	-	
MGD 16	16x16	16x10	1506-0-0050	28.4	38	50	35	24	48	50±0.1	20±0.1	20	8.4	M10	15	M5	10	BB2	M8	37	0.91
MGD 20L	20x5	20x20	1506-1-0050	36.4	47	55	37.5	23	48	55±0.1	23±0.1	22	-	M8	14	M6	11	BB2	-	-	
MGD 20	20x5	20x20	1506-1-0050	36.4	47	55	37.5	28	54	55±0.1	23±0.1	22	8.4	M10	15	M6	11	BB2	M8	45	1.18
MGK 25	25x5	25x10	1506-2-0050	40.4	51	55	40	30	58	60±0.1	23±0.1	22	8.4	M10	15	M6	11	BB2	M8	49	1.33
MGD 32S	32x5	32x10	1506-3-0050	50.4	65	70	45	35	70	70±0.1	45±0.1	12.5	-	M12	20	M8	14	BB2	-	-	2.5
MGD 32	32x20	32x32	1506-3-0050	50.4	65	70	45	35	68	75±0.1	30±0.1	27	13	M16	20	M8	14	BB2	M12	52	2.77
MGD 40	40x5	40x10	1506-4-0050	63.4	78	80	60	42	84	90±0.1	35±0.1	31	15	M18	25	M8	17	BB1	M14	66	3.61
	40x12	40x16	1506-4-0050	63.4	78	80	60	42	84	90±0.1	35±0.1	31	15	M18	25	M8	17	BB1	M14	66	3.61
	40x20	40x40	1506-4-0050	63.4	78	80	60	42	84	90±0.1	35±0.1	31	15	M18	25	M8	17	BB1	M14	66	3.61

SOAR 支撐固定座